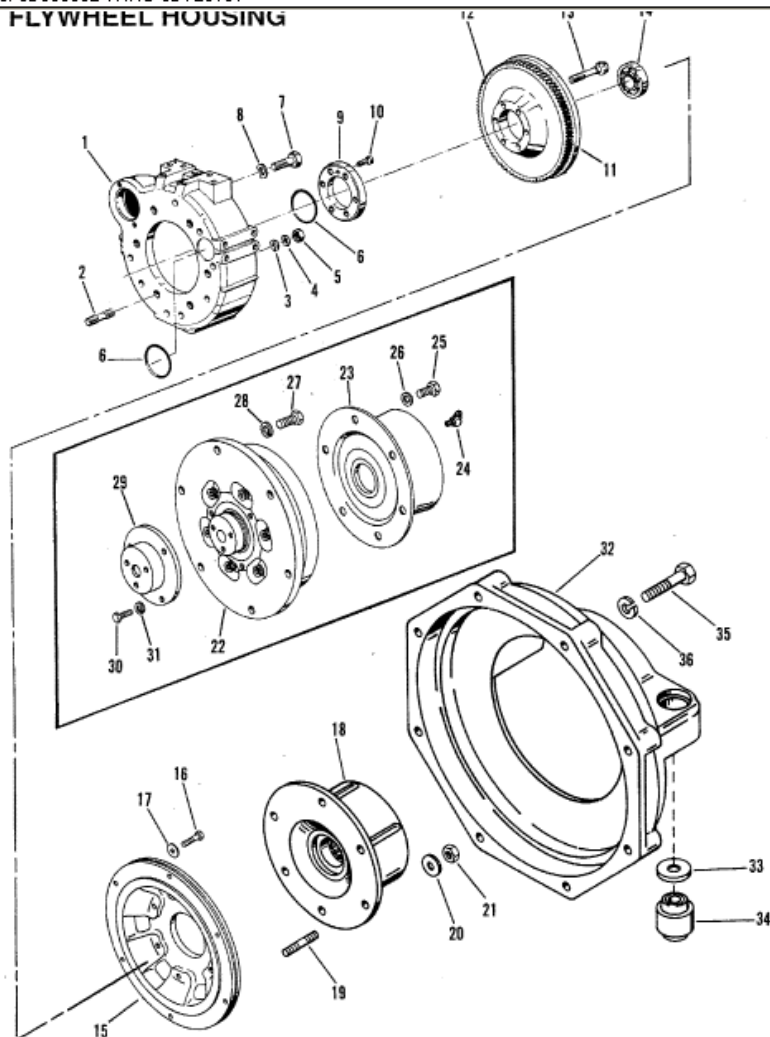


FLYWHEEL HOUSING



Parts List

Ref	Class	Part	Description	Qty	Comment	Footnote
1		801331694	FLYWHEEL HOUSING	1,1		
2	16	809908402	STUD	2,2		
3	12	809931067	WASHER	6,6		
4	13	809932095	LOCKWASHER	6,6		
5	11	809922087	NUT	6,6		
6	25	801331619	O-RING	2,2		1,3
7	10	809913837	SCREW	9,9		
8	13	809932112	LOCKWASHER	9,9		
9		801331697	GUIDE RING	1,1		
10	10	801331698	SCREW	1,1		
11	265	801331699	FLYWHEEL	1,1		
12	43	801331701	RING GEAR	1,1		
13	10	801331703	BOLT	6,6		
14	30	801331702	BALL BEARING (SINGLE STATE C	1,1		
15		18743T	ADAPTOR (SINGLE STATE COUPL	1,1		
16	10	40001134	SCREW (SINGLE STATE COUPLI	6,6		
17	13	40024 7	LOCKWASHER (SINGLE STATE C	6,6		
18		97432A 2	COUPLING ASSEMBLY (SINGLE C	1,1		
19	16	76175	STUD (SINGLE STATE COUPLIN	6,6		
20	12	34714	WASHER (SINGLE STATE COUPL	6,6		
21	11	25269	NUT (SINGLE STATE COUPLING)	6,6		
22		18311A 9	COUPLING ASSEMBLY (DUAL ST	1,1		
23		18311A13	COUPLING ASSEMBLY (DUAL :	1,1		
24	22	49099	GREASE FITTING (DUAL STA	2,2		
25	10	40001189	SCREW (DUAL STAGE COUPLI	6,6		
26	13	40024 8	LOCKWASHER (DUAL STAGE	6,6		
27	10	40001134	SCREW (DUAL STAGE COUPLI	6,6		
28	13	40024 7	LOCKWASHER (DUAL STAGE	6,6		
29		818945	COUPLER (DUAL STAGE COUF	1,1		
30	10	40001 75	SCREW (DUAL STAGE COUPLI	6,6		
31	13	40024 6	LOCKWASHER (DUAL STAGE	6,6		
32		18718A 7	FLYWHEEL HOUSING	1,1		
33	23	99322	SPACER	2,2		
34		88791	MOUNT	2,2		
35	10	40001206	SCREW	8,8		
36	13	809931076	LOCKWASHER	8,8		
37	27	822567A 1	GASKET SET	AR	QUANTITIES: (5 CYL) - 1; (6 CYL)	
38	27	822570A 1	GASKET SET	AR	QUANTITIES: (5 CYL) - 0; (6 CYL)	